

Figure 1

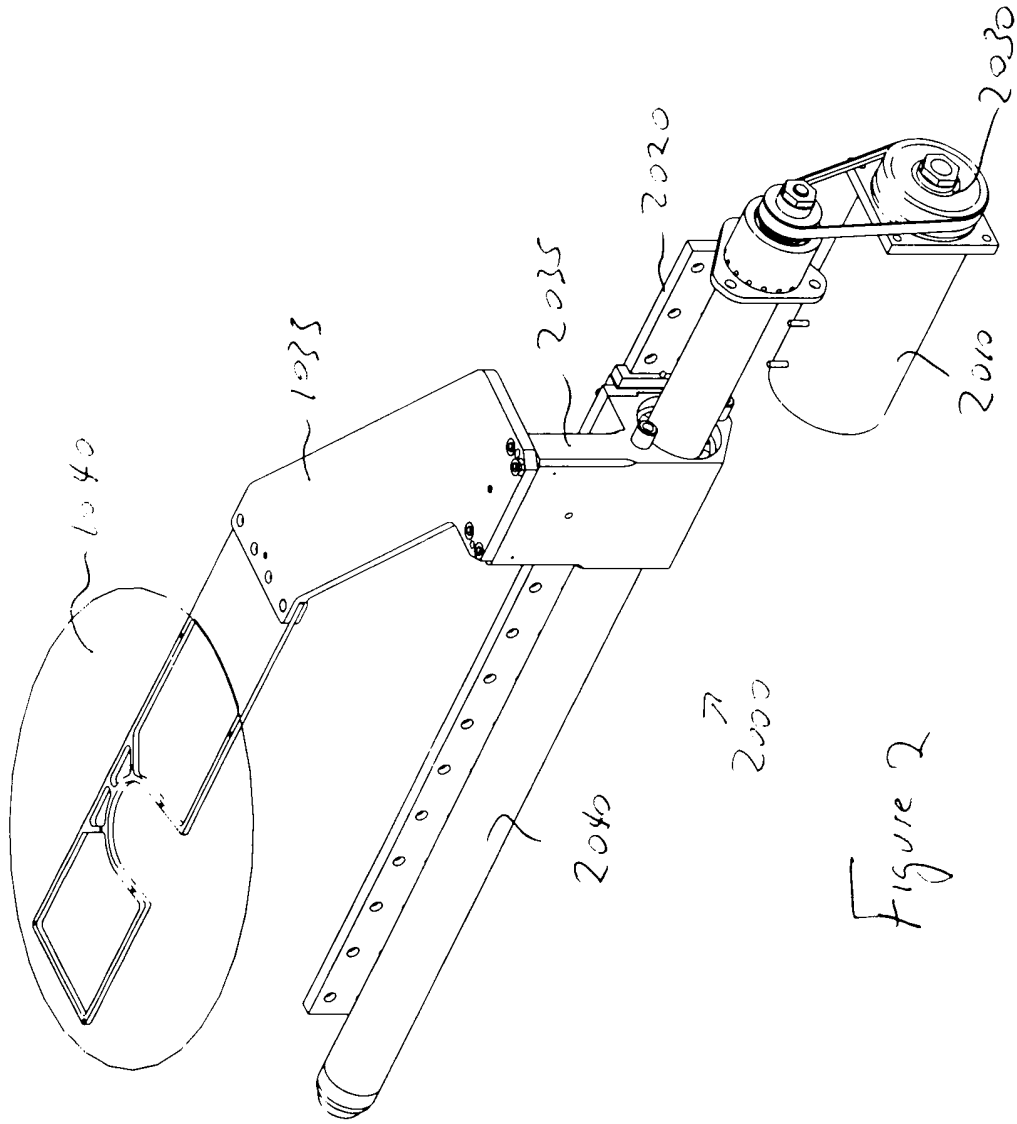
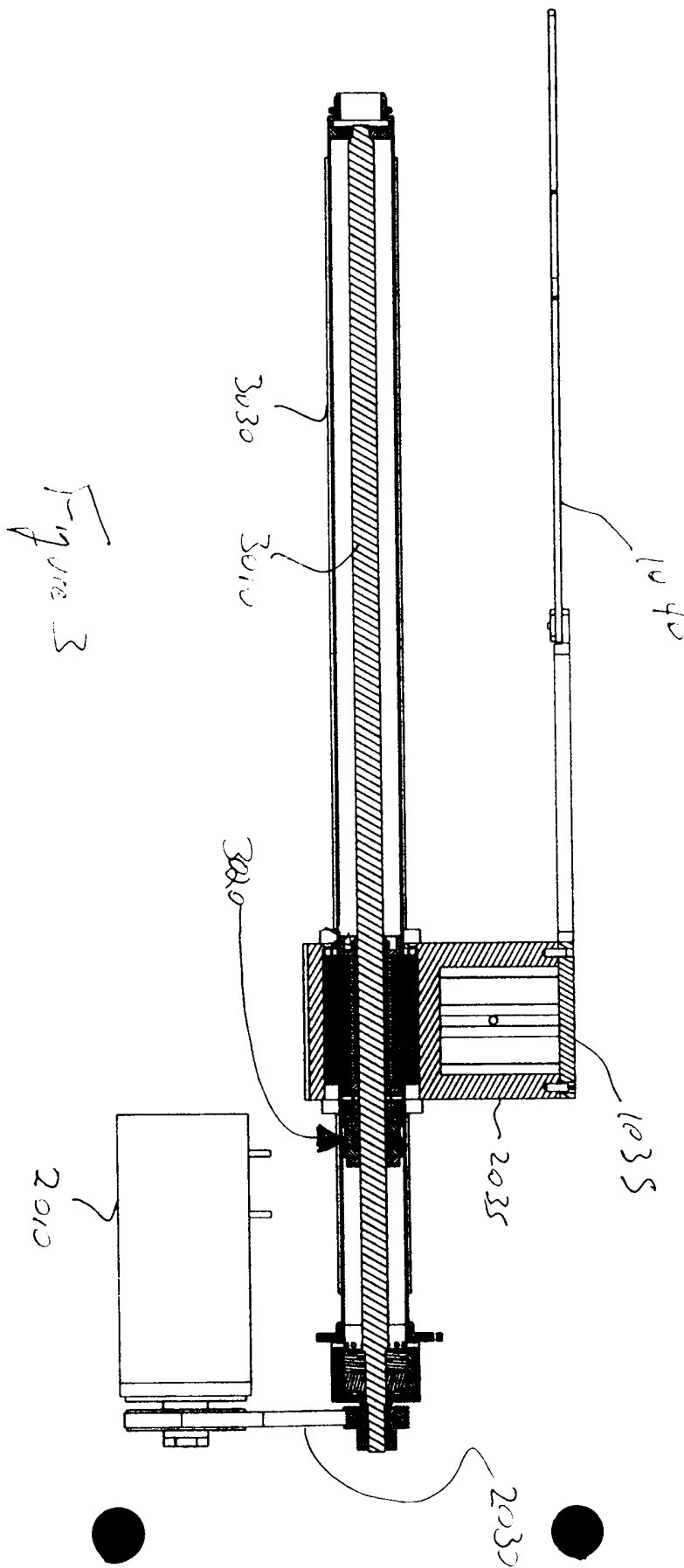


Figure 2

Magnetically Coupled Linear Servo-Drive Mechanism

Inventor: Thomas M. Pratt, et al.

Attorney Docket No.: 50544.00010 NVLS 432



Magnetically Coupled Linear Servo-Drive Mechanism

Inventor: Thomas M. Pratt, et al.

Attorney Docket No.: 50544.00010 NVLS 432

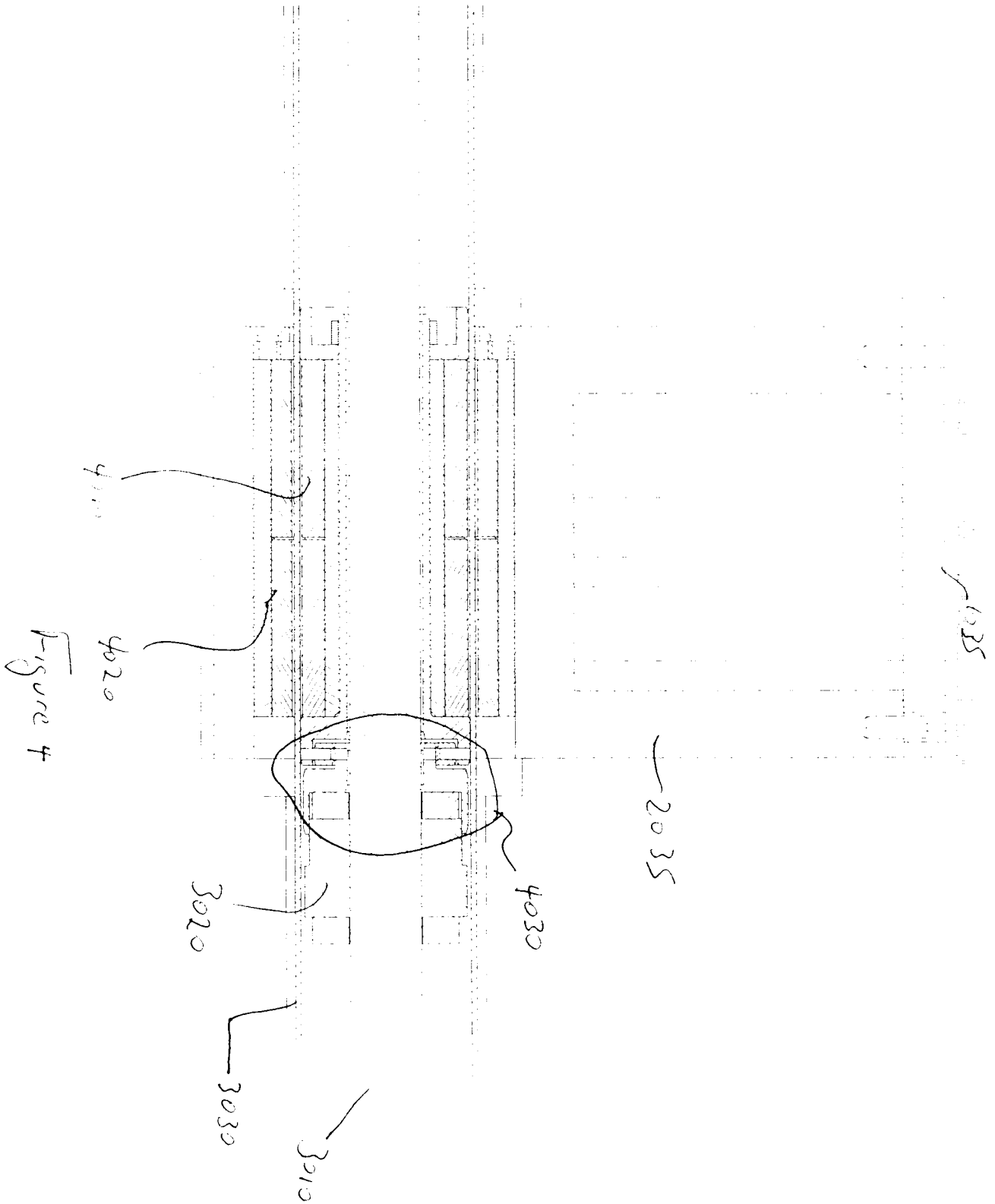
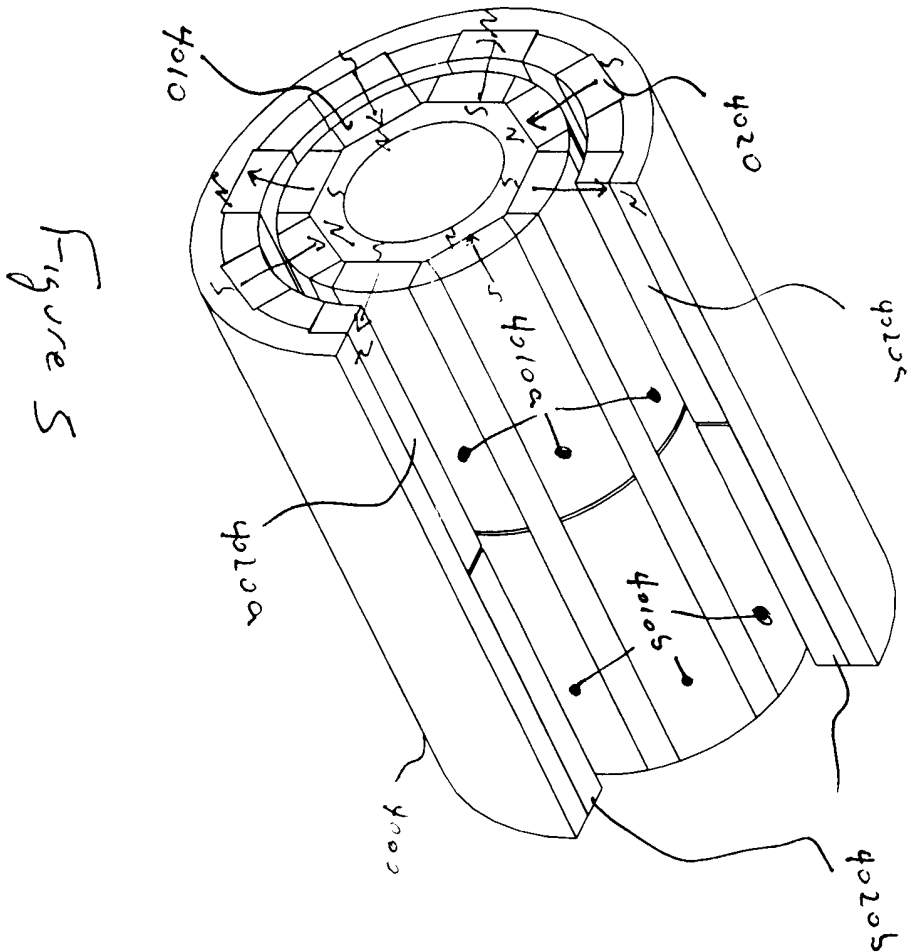


Figure 4

Magnetically Coupled Linear Servo-Drive Mechanism

Inventor: Thomas M. Pratt, et al.

Attorney Docket No.: 50544.00010 NVLS 432



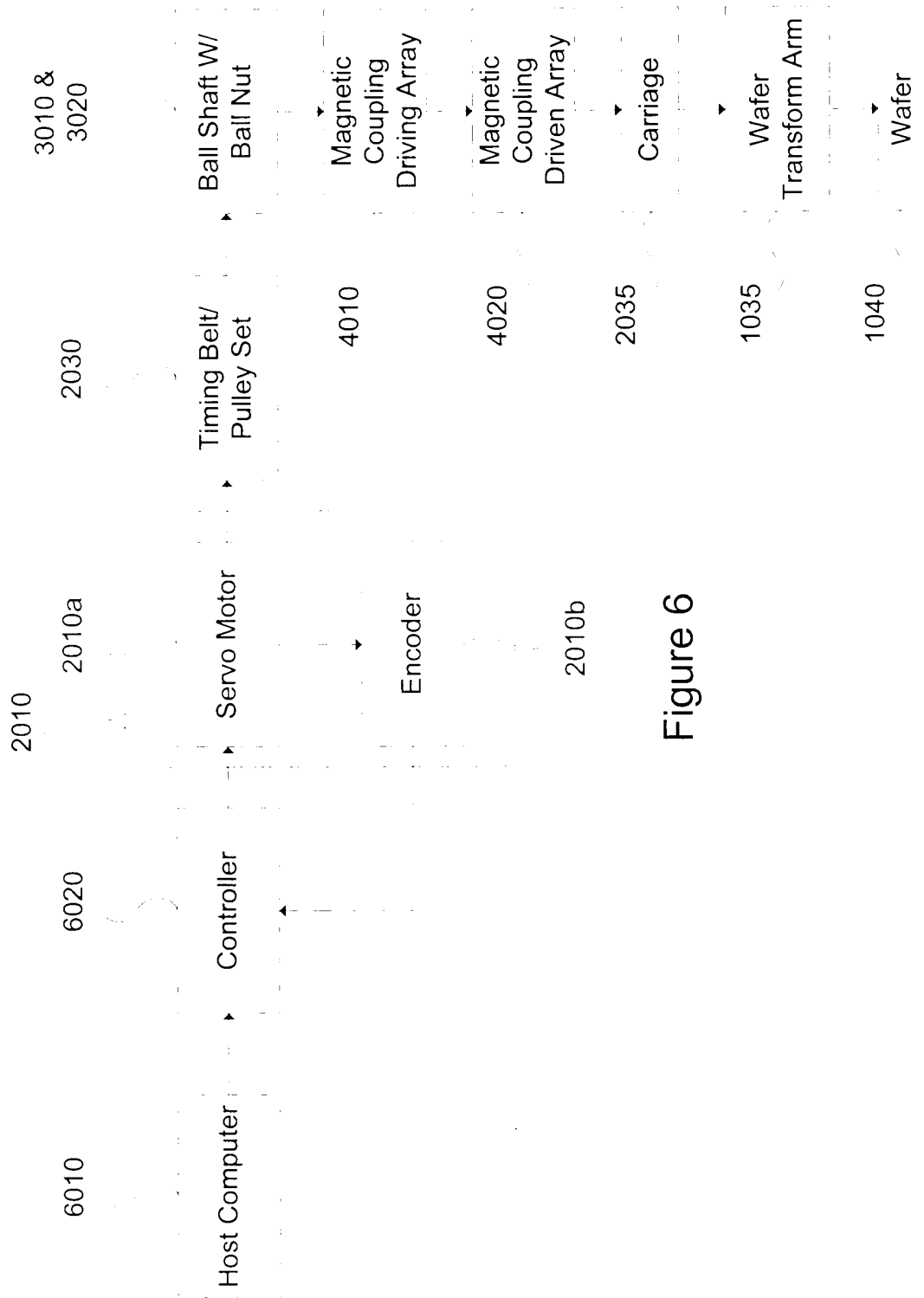


Figure 6

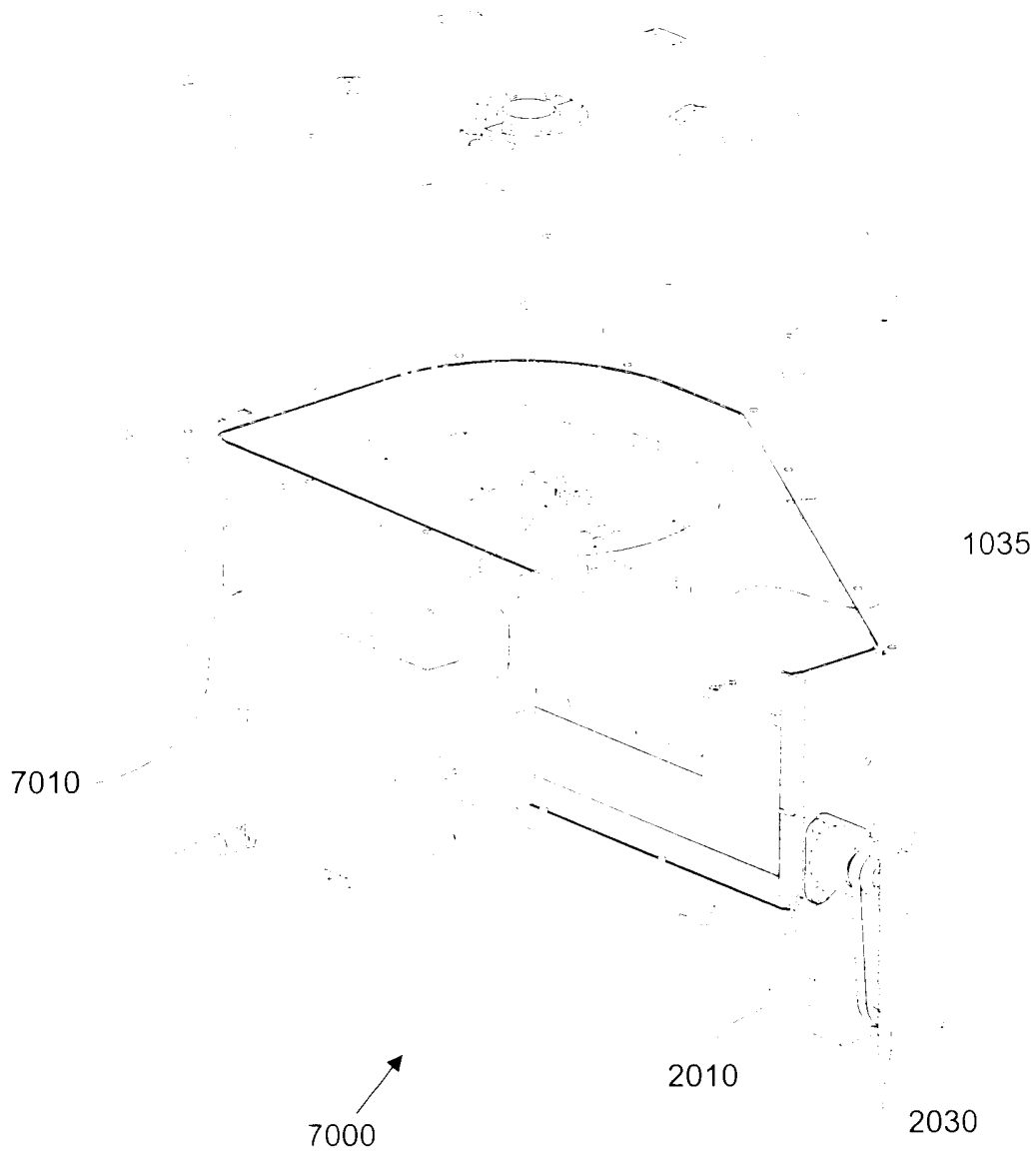


Figure 7